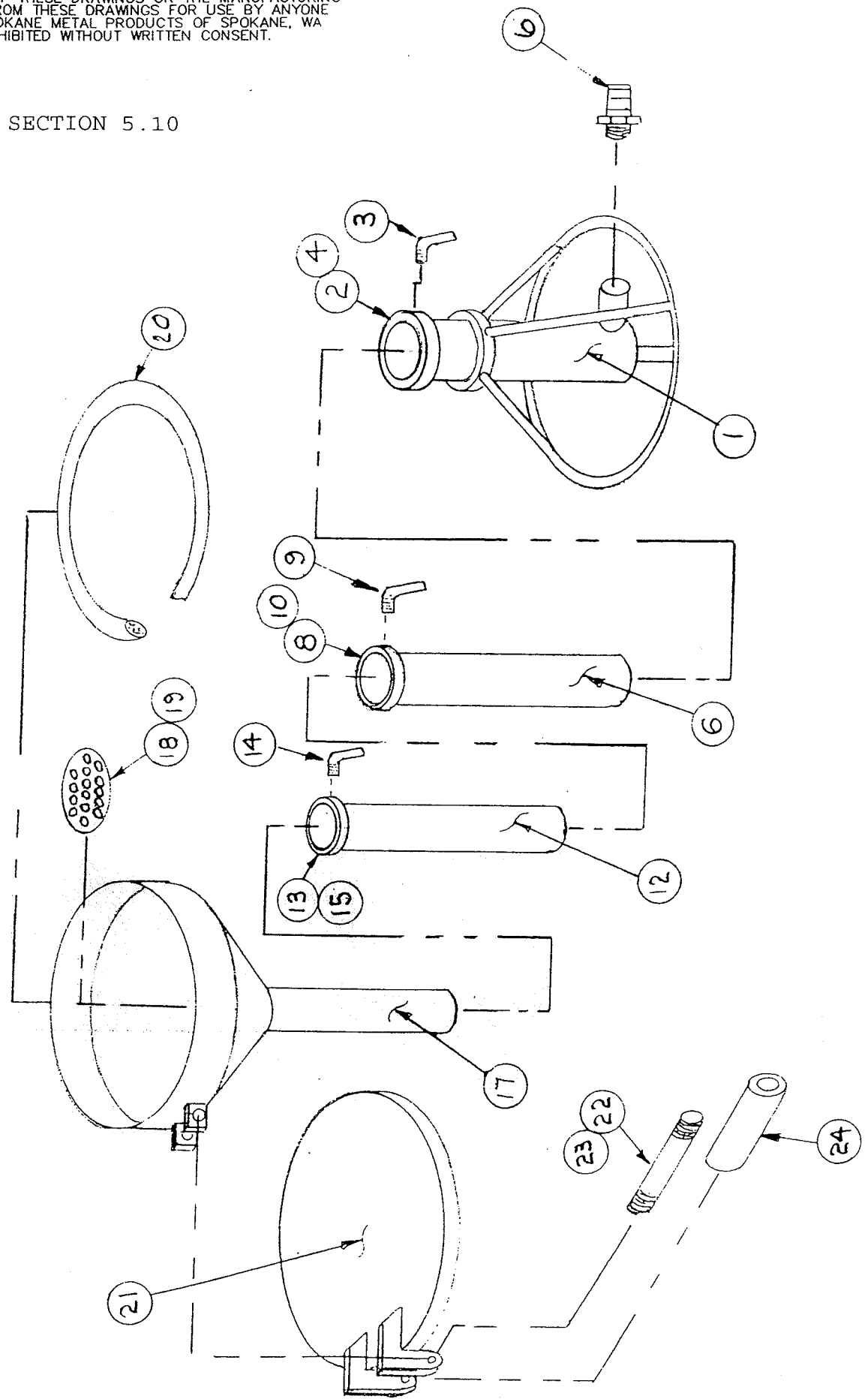


CONFIDENTIAL-PROPRIETARY INFORMATION  
REPRODUCTION OF THESE DRAWINGS OR THE MANUFACTURING  
OF PRODUCTS FROM THESE DRAWINGS FOR USE BY ANYONE  
OTHER THAN SPOKANE METAL PRODUCTS OF SPOKANE, WA  
IS STRICTLY PROHIBITED WITHOUT WRITTEN CONSENT.

SECTION 5.10



## SECTION 5.10

## MAJOR ASSEMBLY - REMOTE DRAIN FUNNEL

## ASSEMBLY 07-1110U

Sub Assy.	Item	Part No.	Quantity	Description	Wt.#
07-11103				REMOTE DRAIN FUNNEL, BASE	17
	1	07-1100	1	BASE SECTION FAB S/S	
	2	05-10012	1	CLAMP, BASE	
	3	02-10181	1	SCREW, CLAMP	
	4	05-0037	1	PLASTIC	
07-11104				REMOTE DRAIN FUNNEL, LOWER	2.5
	7	01-92452	1	TUBE, 3" O.D.	
	8	05-10022	1	BASE CLAMP	
	9	02-10181	1	SCREW, CLAMP	
	10	05-0037	1	PLASTIC	
07-11105				REMOTE DRAIN FUNNEL, UPPER	1.75
	12	01-9242	1	TUBE, 2-1/2" O.D.	
	13	05-10032	1	CLAMP, BASE	
	14	02-10015	1	SCREW, CLAMP	
	15	05-0037	1	PLASTIC	
07-11106				REMOTE DRAIN FUNNEL, TOP, FAB	13
	17	01-8250	1	FUNNEL, CAST ALUM	
	18	04-1039	1	DEBRIS SCREEN	
	19	02-1200	1	LOCK NUT	
	20	06-1022	1	NITRILE GASKET	

## SECTION 5.10 (CONTINUED)

## MAJOR ASSEMBLY - REMOTE DRAIN FUNNEL

## ASSEMBLY 07-1110U

07-11107		07-1116		REMOTE FUNNEL LID ASSY	12
	21	01-9007	1	LID FABRICATION	
	22	01-91984S	1	ROD, THREADED	
	23	02-1200	2	LOCK NUTS	
	24	01-9233S	1	PIPE	